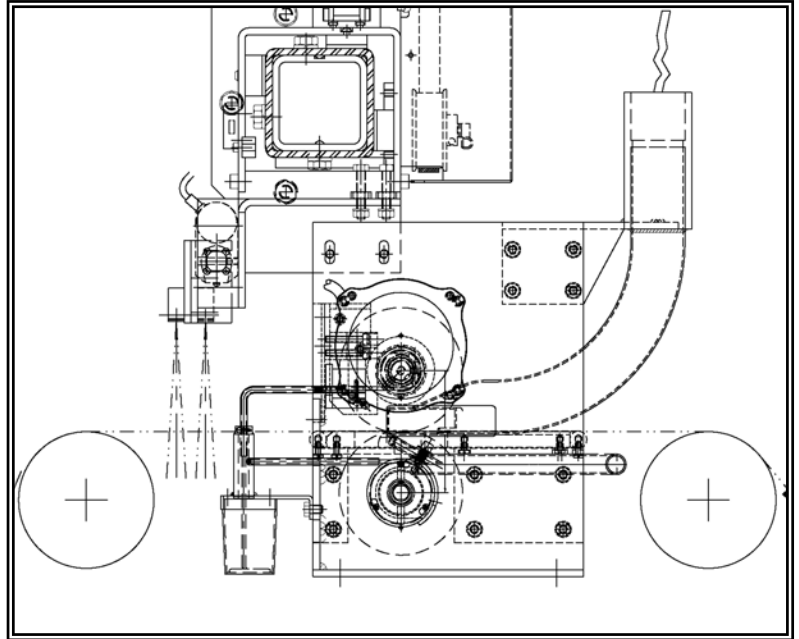
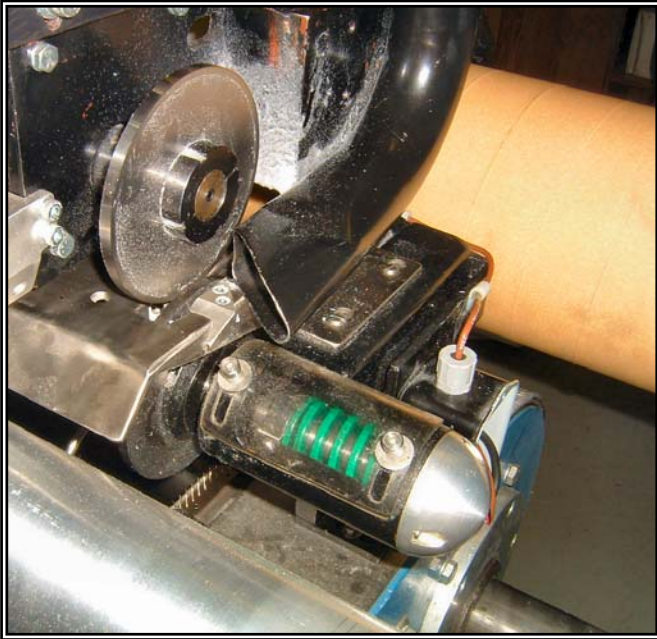


Tandematic®



SHEAR CUT TRIMMING/SLITTING SYSTEM

ORIGINALLY DEVELOPED BY TANDEMAC TO TRIM AND SLIT KNITTED FABRIC AND NONWOVEN WEBS, THIS SYSTEM'S **CLEAN CUT** AT HIGH PROCESS SPEEDS WITH **MINIMAL WASTE** IS IDEAL FOR WEB APPLICATIONS IN THE CONVERTING INDUSTRY.

IN ADDITION, A FEATURE PATENTED BY TANDEMAC FOR USE IN SHEAR CUTTING ENSURES **LONG BLADE LIFE**.

A SYSTEM FOR AUTOMATICALLY MAINTAINING SET DISTANCE BETWEEN WEB EDGE AND POINT OF CUTTING IS AVAILABLE FOR EDGE TRIMMING.

FEATURES:

- **CLEAN CUT EDGE**
- **REDUCED WASTE**
- **REMARKABLY LONG CUTTER LIFE**
- **AUTOMATIC EDGE-FOLLOWING OPTION**

e:\df\lit\off-stentertrim\trim slit flyer 09apr05.doc

REDUCED WASTE = INCREASED YIELD = MORE PROFIT

COVERED BY THE TANDEMAC® PERFORMANCE GUARANTEE

U.S.PATENT 5555610

Tandematic

®

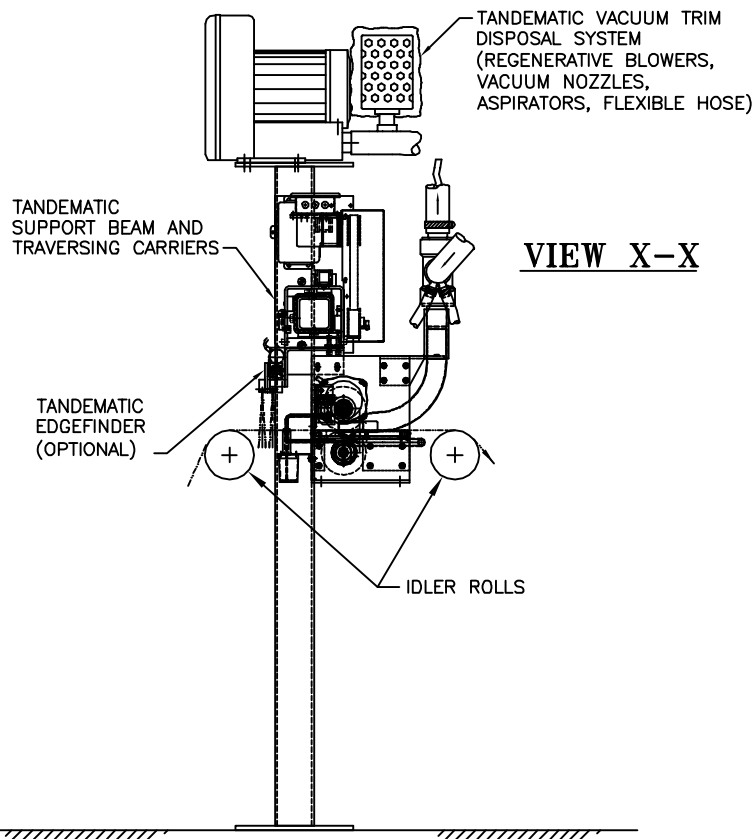
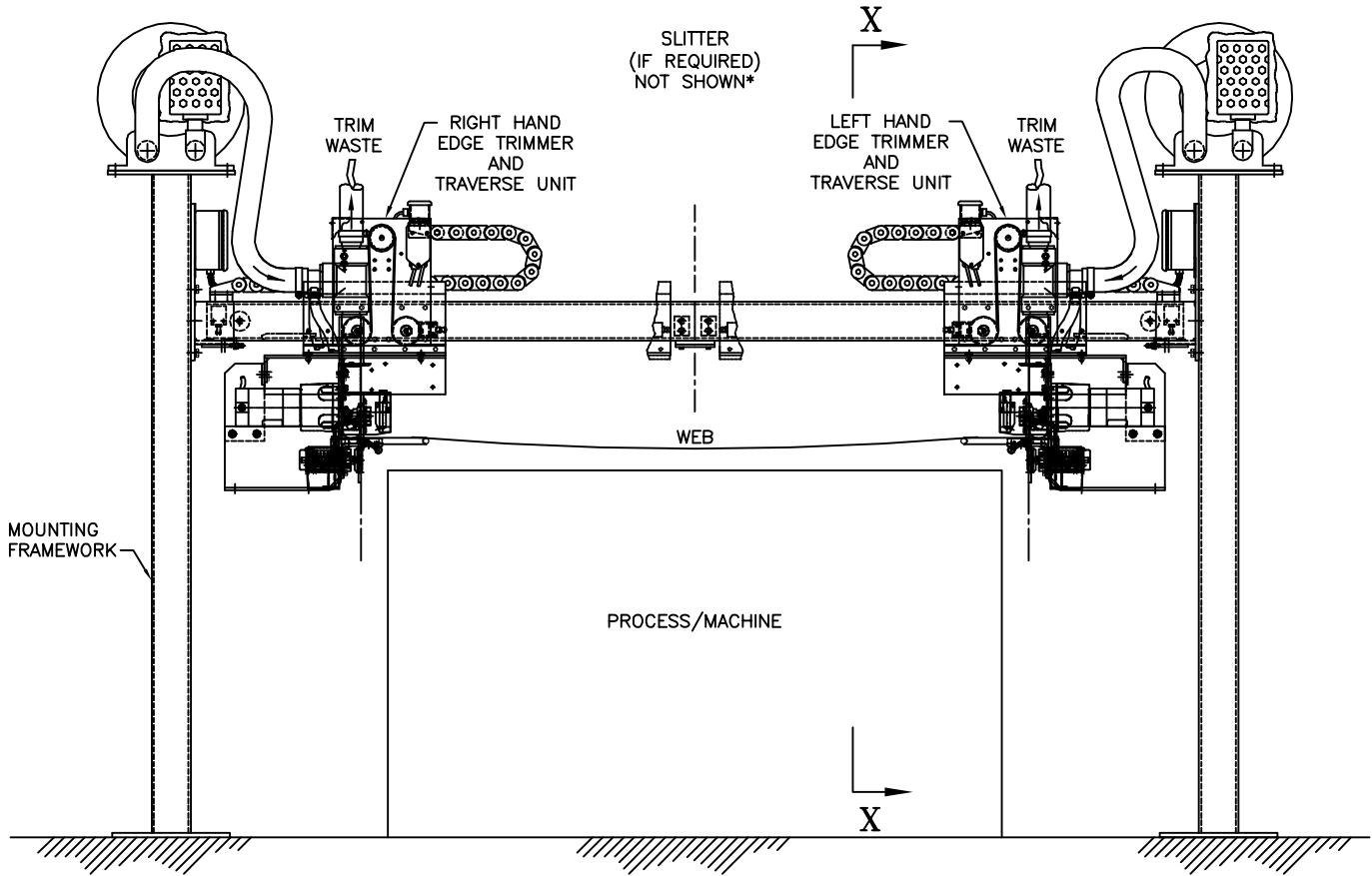
TELEPHONE 1-864-579-0871 • FAX 1-864-579-0374
E-MAIL SOLUTIONS@TANDEMAC.COM • WEBSITE WWW.TANDEMAC.COM

2730 CANNONS CAMPGROUND ROAD • SPARTANBURG SC 29307 USA



The President's Award
for Exporting Excellence

TANDEMATIC SHEAR CUT TRIMMING SYSTEM



SLIT/FLYERS/B150507
DK APR. 12, 05

Tandematic

®

TELEPHONE 1 864 579 0871
E-MAIL SOLUTIONS@TANDEMATIC.COM

FAX 1 864 579 0374
WEBSITE WWW.TANDEMATIC.COM

2730 CANNONS CAMPGROUND ROAD SPARTANBURG, SC 29307-2825 USA