

# Tandematic®

## THE "MANTIS" IN-LINE WEB POSITIONER



DISARMINGLY SIMPLE IN DESIGN AND CONSTRUCTION, THIS NEWEST ADDITION TO THE TANDEMATIC FAMILY IS FOR USE:

- JUST AHEAD OF **PRINT MACHINES, COATING MACHINES AND LAMINATORS** TO PRECISELY CENTER OR POSITION ONE EDGE OF THE WEB, AND
- AT STRATEGIC POINTS IN **CONTINUOUS PROCESS RANGES** TO RE-POSITION WEBS WHICH MAY HAVE WANDERED OFF-COURSE

THE TANDEMATIC "MANTIS" STANDS ALONE IN THE ARRAY OF OTHER IN-LINE GUIDERS (STEERING ROLLER GUIDERS, SLAT GUIDERS, SELVEDGE GUIDERS, ETC.) BECAUSE:

- THE "MANTIS" MAY BE CONFIGURED TO HANDLE ANY AMOUNT OF CORRECTION, WITHOUT WEB DISTORTION, WITHOUT CREASES, AND WITHOUT ANY FREE LENGTH OF WEB REQUIRED BEFOREHAND
- THE EXITING WEB IS POSITIVELY, EFFORTLESSLY AND PRECISELY PLACED WHERE IT IS SUPPOSED TO BE – WITHOUT FORCING OR URGING
- THE SIMPLE, YET ELEGANT, CONCEPT RESULTS IN TROUBLE-FREE PERFORMANCE AT A REASONABLE PRICE
- AN OPTIONAL FEATURE IS AVAILABLE FOR HANDLING TENSION-SENSITIVE WEBS

### FEATURES:

- \* **POSITIVE, PRECISE POSITIONING**
- \* **SIMPLE DESIGN AND CONSTRUCTION**
- \* **NO WEB DISTORTION OR CREASES**
- \* **MINIMAL FLOOR SPACE REQUIRED**
- \* **NO LEAD-IN DISTANCE REQUIRED**

U.S. AND FOREIGN  
PATENTS PENDING



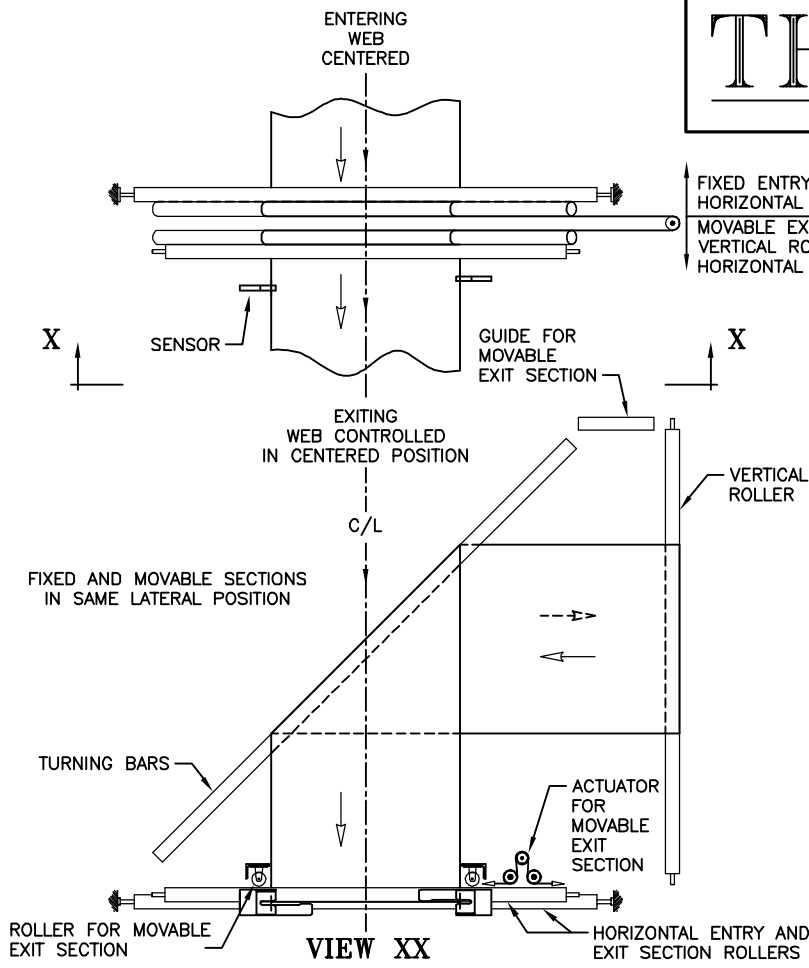
e:dfNltvmantis web flyer 12apr05.doc

**Tandematic**

TELEPHONE 1 864 579 0871 · FAX 1 864 579 0374  
E-MAIL SOLUTIONS@TANDEMATIC.COM · WEBSITE WWW.TANDEMATIC.COM

2730 CANNONS CAMPGROUND ROAD · SPARTANBURG SC 29307 USA

# THE "MANTIS"



## SPECIFICATIONS

**FABRIC SPEED: UNLIMITED**

**EXIT EDGE POSITION: +/- 1.5 MM**

**FLOOR SPACE, LENGTHWISE:  
LESS THAN 1 M**

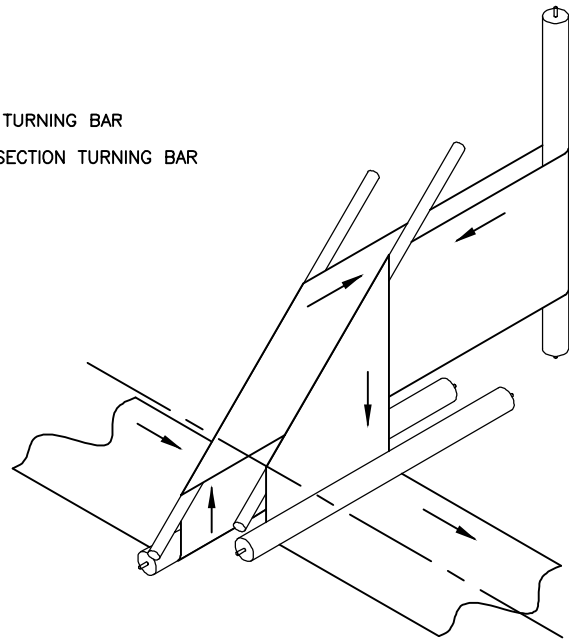
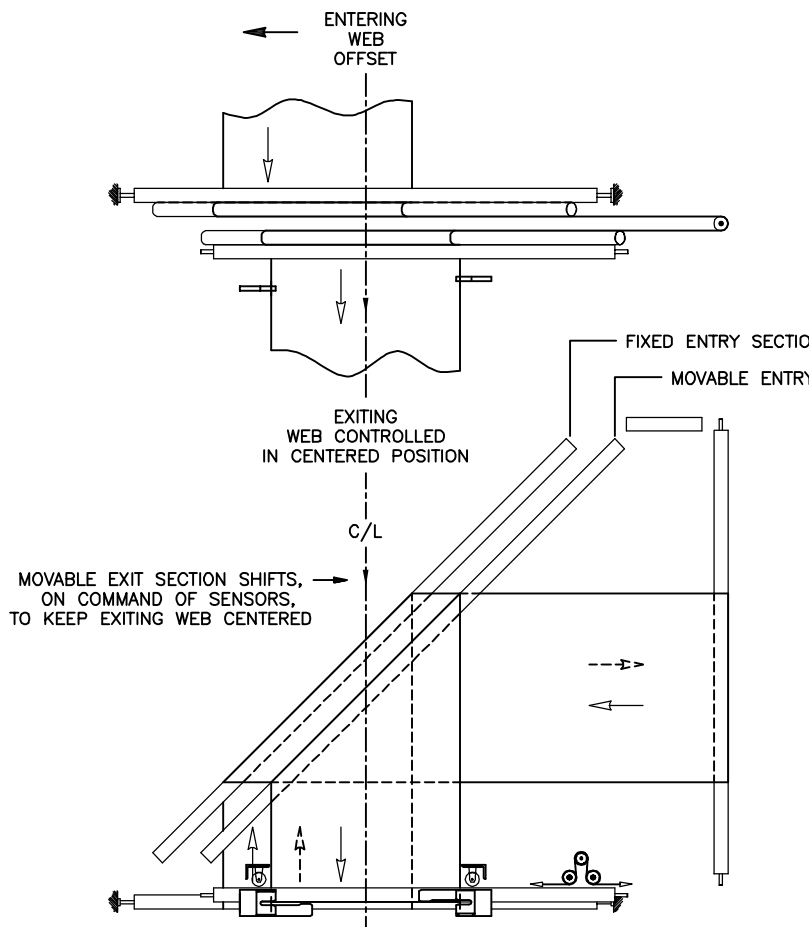
**IDLER ROLLERS: ALUMINUM OR  
STAINLESS STEEL, LENGTH AND  
DIAMETER TO SUIT**

**TURNING BARS: CARBON STEEL  
OR STAINLESS STEEL (FOR TENSION-  
SENSITIVE WEBS, BARS WITH "FLOATING"  
EFFECT ARE AVAILABLE)**

**MOVABLE EXIT SECTION ACTUATORS:  
110 OR 220 VAC STEPPING MOTOR/REDUCER  
WITH PASSIVE TIMING BELT**

**SENSOR(S): INFRARED WITH OPTICALLY-  
ADJUSTABLE SENSITIVITY**

**CONTROL SYSTEM: SINGLE-EYE  
INFRARED WITH INTELLIGENT PLC  
PROGRAM**



F:POSITIONER\B1310781  
DK APR. 8, 05

**Tandematic**

TELEPHONE 1 864 579 0871  
E-MAIL SOLUTIONS@TANDEMAC.COM

FAX 1 864 579 0374  
WEBSITE WWW.TANDEMAC.COM

2730 CANNONS CAMPGROUND ROAD SPARTANBURG, SC 29307-2825 USA