

Tandematic®



OFF-STENTER SHEAR CUT TRIM SYSTEM

THE SHEAR CUT TRIM SYSTEM DEVELOPED BY TANDEMATIC ELIMINATES PROBLEMS COMMONLY ASSOCIATED WITH CONVENTIONAL HIGH SPEED BLADE SYSTEMS, AND HAS GAINED ACCEPTANCE WORLD-WIDE AS THE PREMIER METHOD FOR SELVEDGE TRIMMING.

WE GUARANTEE THAT:

- * THE POINT OF CUTTING CAN BE SET TO BE WITHIN 6 MM FROM HOLES OF INNERMOST ROW OF STENTER PINS.
- * THE LOW SPEED SHEAR CUTTER BLADES WILL TRIM SATISFACTORILY FOR A MUCH LONGER PERIOD BEFORE NEEDING TO BE CHANGED - 1 MONTH BETWEEN RESHARPENING/REPLACEMENT IS NOT UNCOMMON.
- * TRIMMED SELVEDGE WASTE WILL NEVER REMAIN ON THE STENTER PINS AFTER TRIMMING AND RETURN ON THE PIN CHAIN. IF STENTER SPEED IS LIMITED BY UNRELIABLE PICK-UP AND REMOVAL OF SELVEDGE WASTE FROM THE PINS AFTER TRIMMING, ESPECIALLY AS A RESULT OF A MIS-PIN AT THE ENTRY, THE TANDEMATIC OFF-STENTER TRIM SYSTEM WILL REMOVE THIS BOTTLENECK AND MAKE POSSIBLE INCREASED STENTER SPEED.
- * FOLLOWING A MIS-PIN, FABRIC WILL RETURN TO ITS PREVIOUS POSITION AND TRIMMING WILL RESUME WITHOUT OPERATOR ATTENTION.



BE AWARE OF COPIES – INSIST ON THE GENUINE TANDEMATIC TRIM SYSTEM!

E:\dflit\off stenter\off trim 21aug07.doc

REDUCED TRIM WASTE = INCREASED FABRIC YIELD = MORE PROFIT

Tandematic

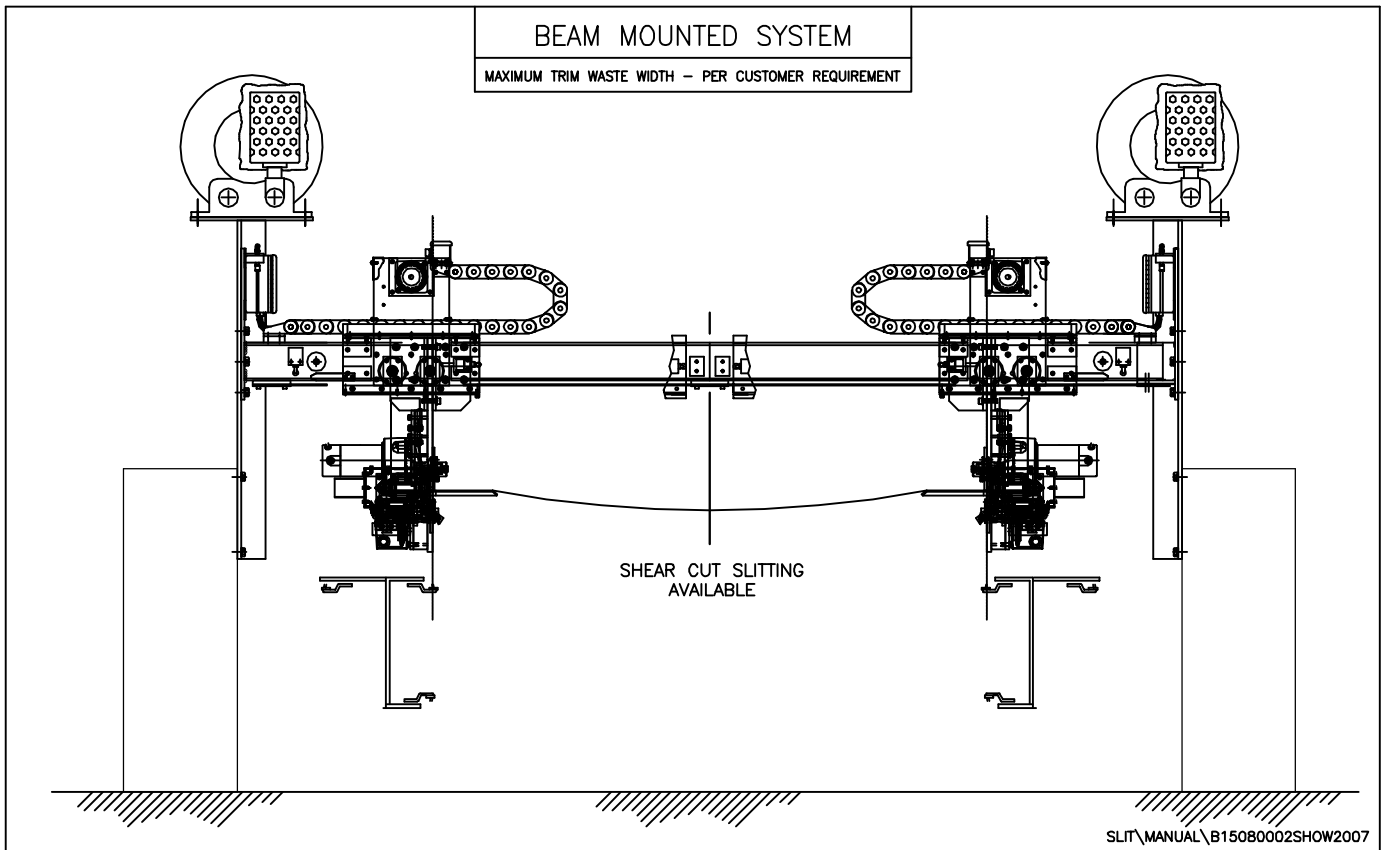
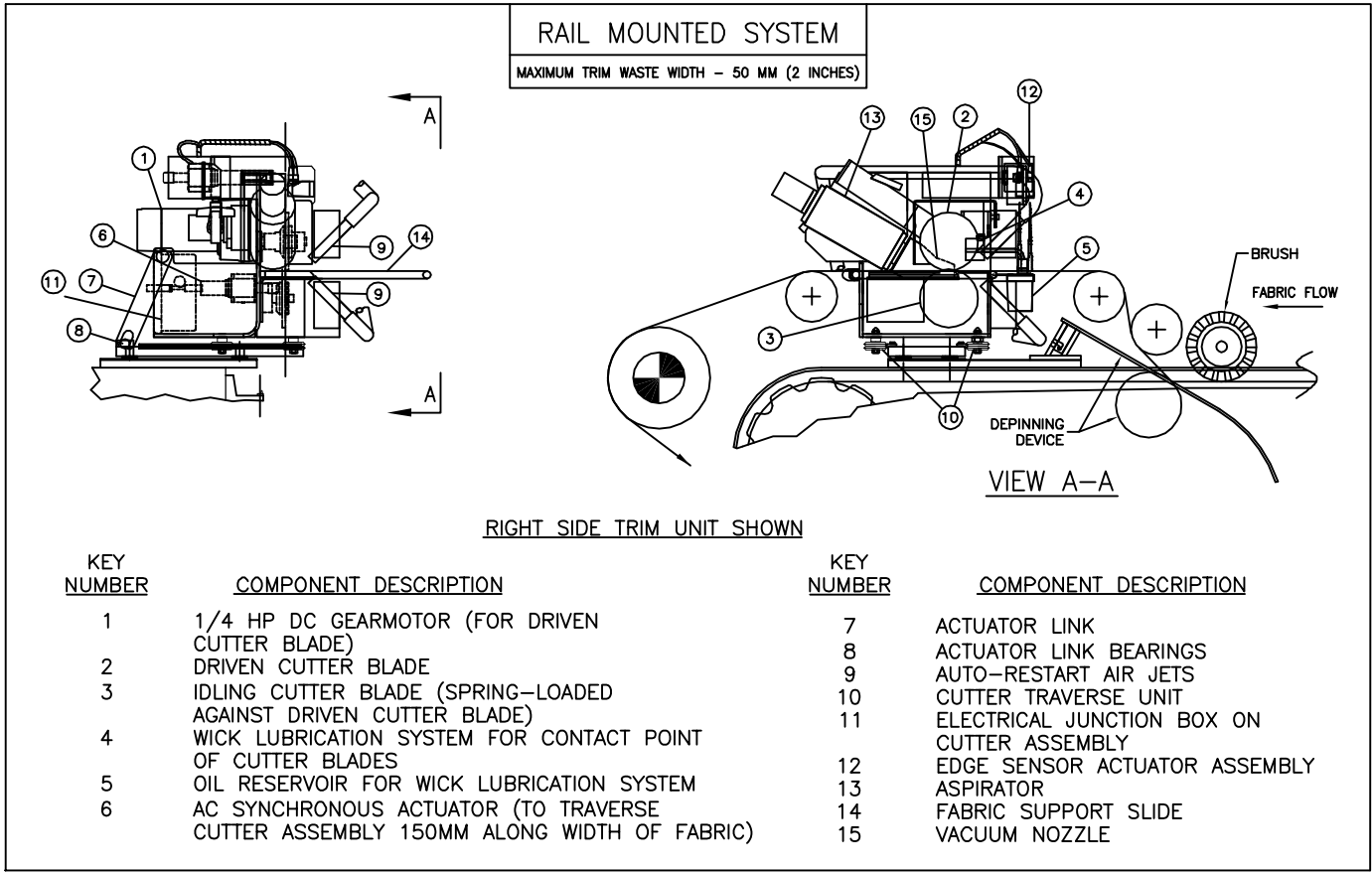
®

TELEPHONE 1-864-579-0871 • FAX 1-864-579-0374
E-MAIL SOLUTIONS@TANDEMATIC.COM • WEBSITE WWW.TANDEMATIC.COM

2730 CANNONS CAMPGROUND ROAD • SPARTANBURG SC 29307 USA

Tandematic SHEAR CUT TRIM SYSTEMS

®



Tandematic

®

TELEPHONE 1 864 579 0871
 E-MAIL SOLUTIONS@TANDEMAC.COM

FAX 1 864 579 0374
 WEBSITE WWW.TANDEMAC.COM

2730 CANNONS CAMPGROUND ROAD SPARTANBURG, SC 29307-2825 USA